



What's Your Angle

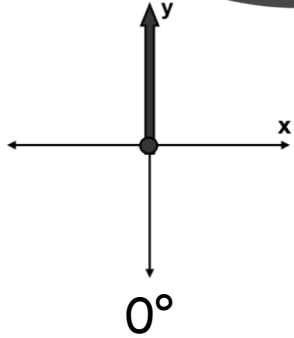
Advanced

Score: /12

Follow the instruction under each angle.
Can you work out the new angle for each one?
Write your answers underneath each one.

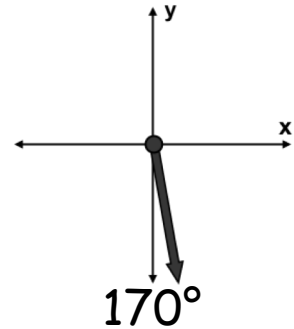
If you use a piece of paper to draw the calculations it will help!

Name: _____



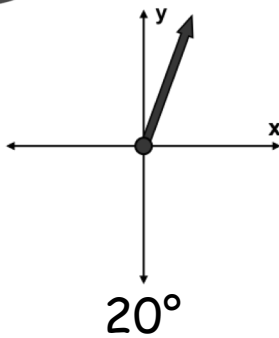
Reflect across the x-axis & rotate 270° clockwise

= _____ °



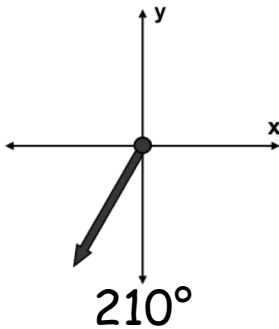
Reflect across both x & y-axis & rotate 135° anticlockwise

= _____ °



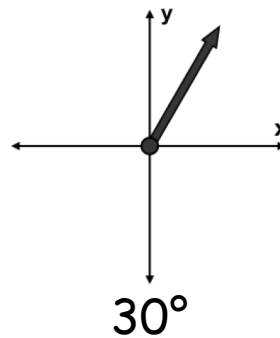
Reflect across the x-axis & rotate 180°

= _____ °



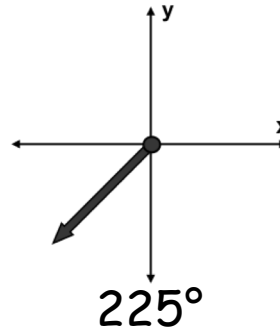
Reflect across both x & y-axis & rotate 270° clockwise

= _____ °



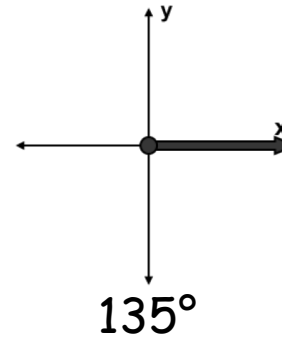
Reflect across the y-axis & rotate 150° clockwise

= _____ °



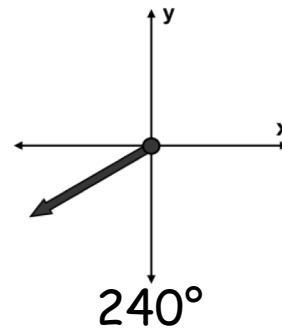
Reflect across both x & y-axis & rotate 280° clockwise

= _____ °



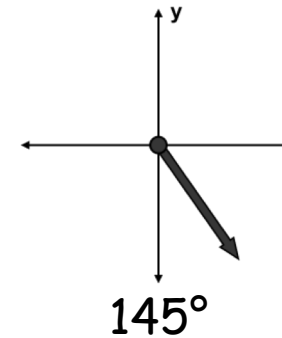
Reflect across the y-axis & rotate 315° clockwise

= _____ °



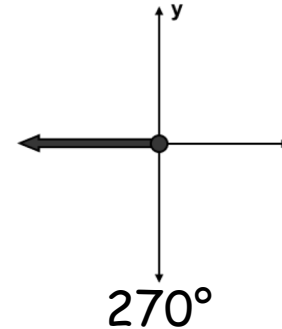
Reflect across both x & y-axis & rotate 210° anticlockwise

= _____ °



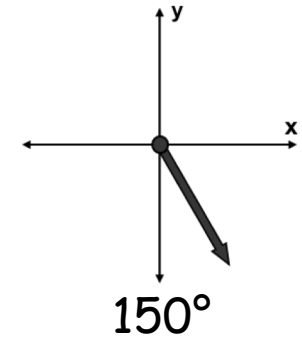
Reflect across both x & y-axis & rotate 80° clockwise

= _____ °



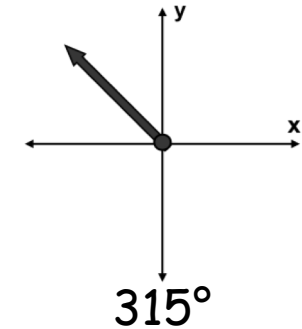
Reflect across both x & y-axis & rotate 270° anticlockwise

= _____ °



Reflect across both x & y-axis & rotate 120° anticlockwise

= _____ °



Reflect across both x & y-axis & rotate 180° anticlockwise

= _____ °